

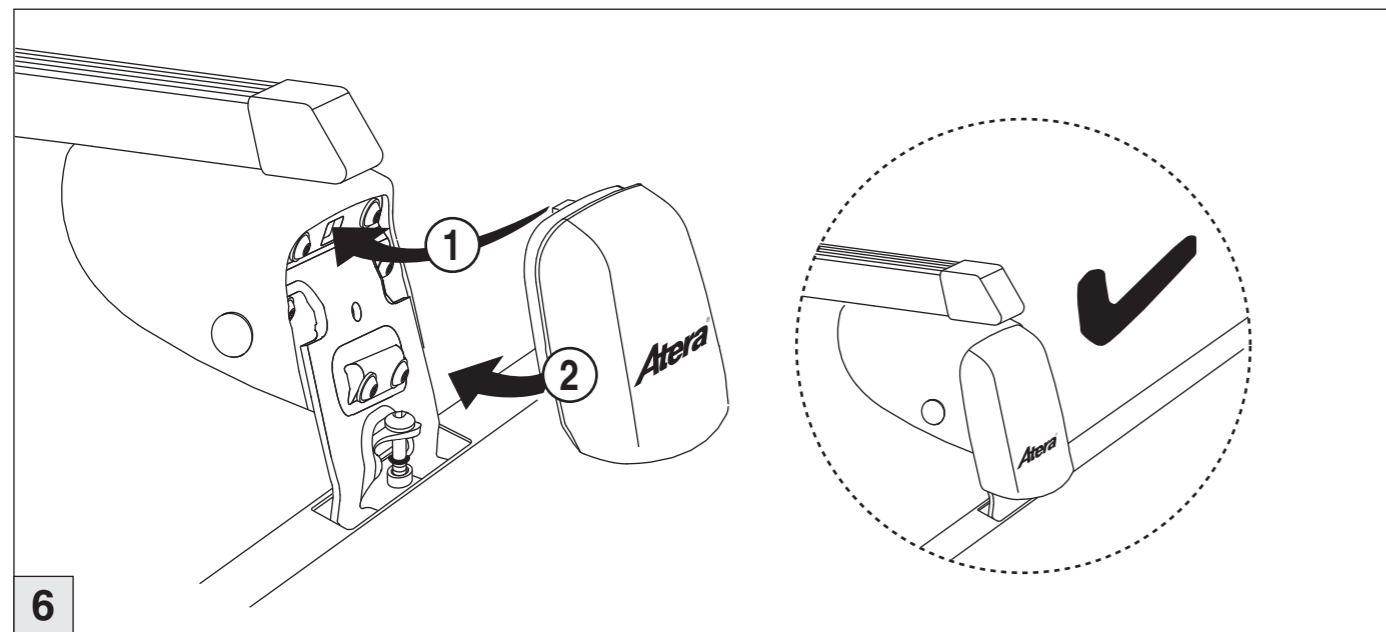
# Atera SIGNO

Mitsubishi Lancer Sportback  
(5-türig/doors/portes)

11/2008-

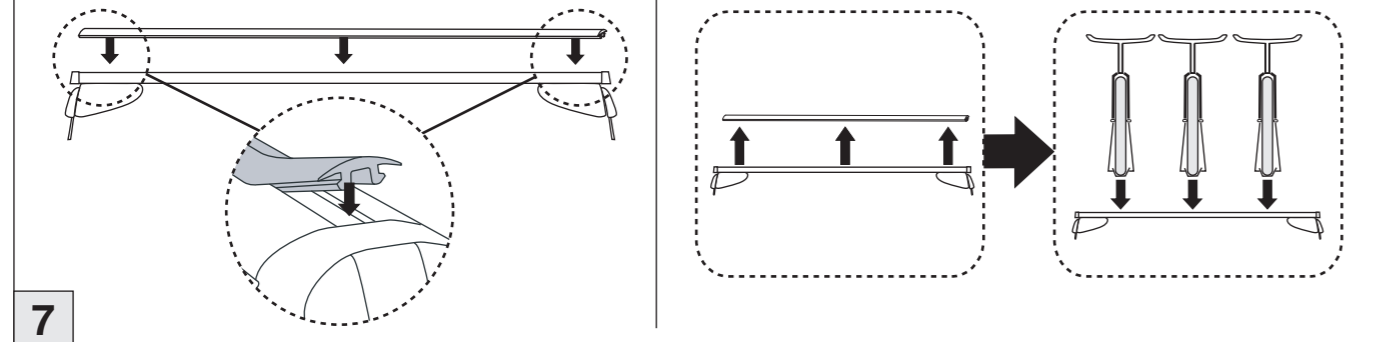
Mitsubishi Lancer  
(4-türig/doors/portes)

12/2007-

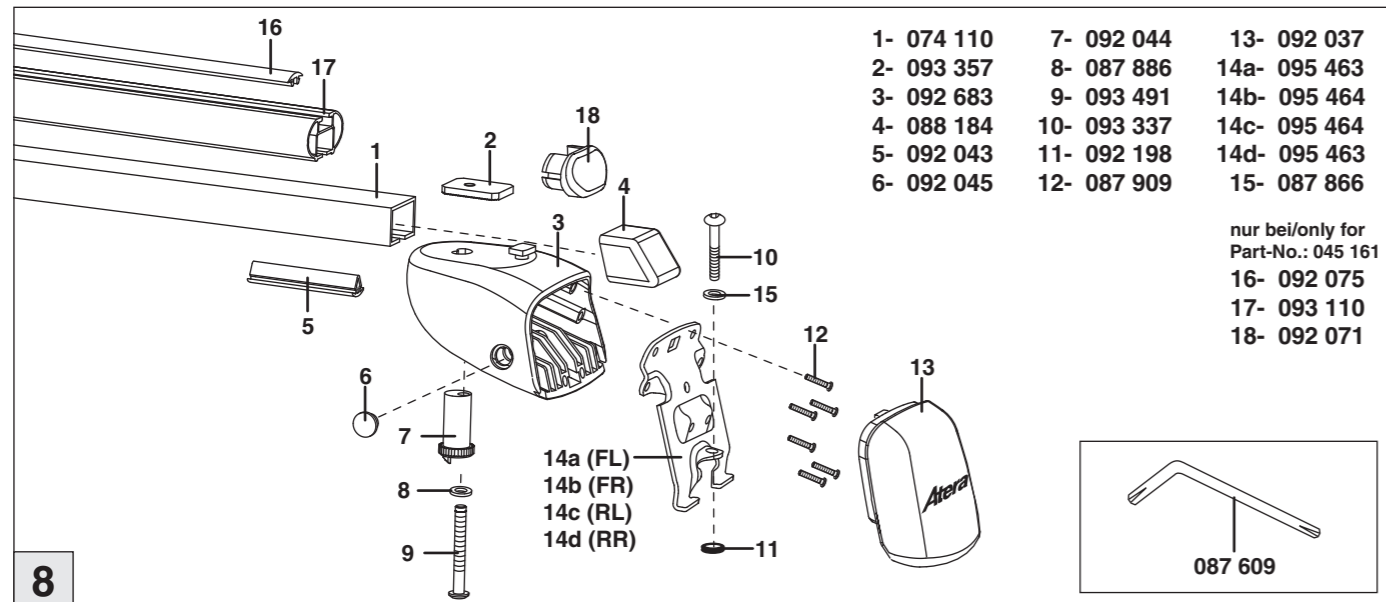


6

nur bei / only for Part-No.: 045 161



7



8

# Atera<sup>®</sup> SIGNO



Mitsubishi

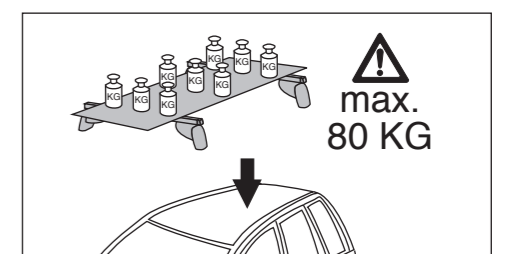
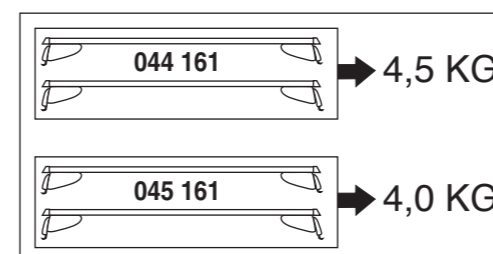
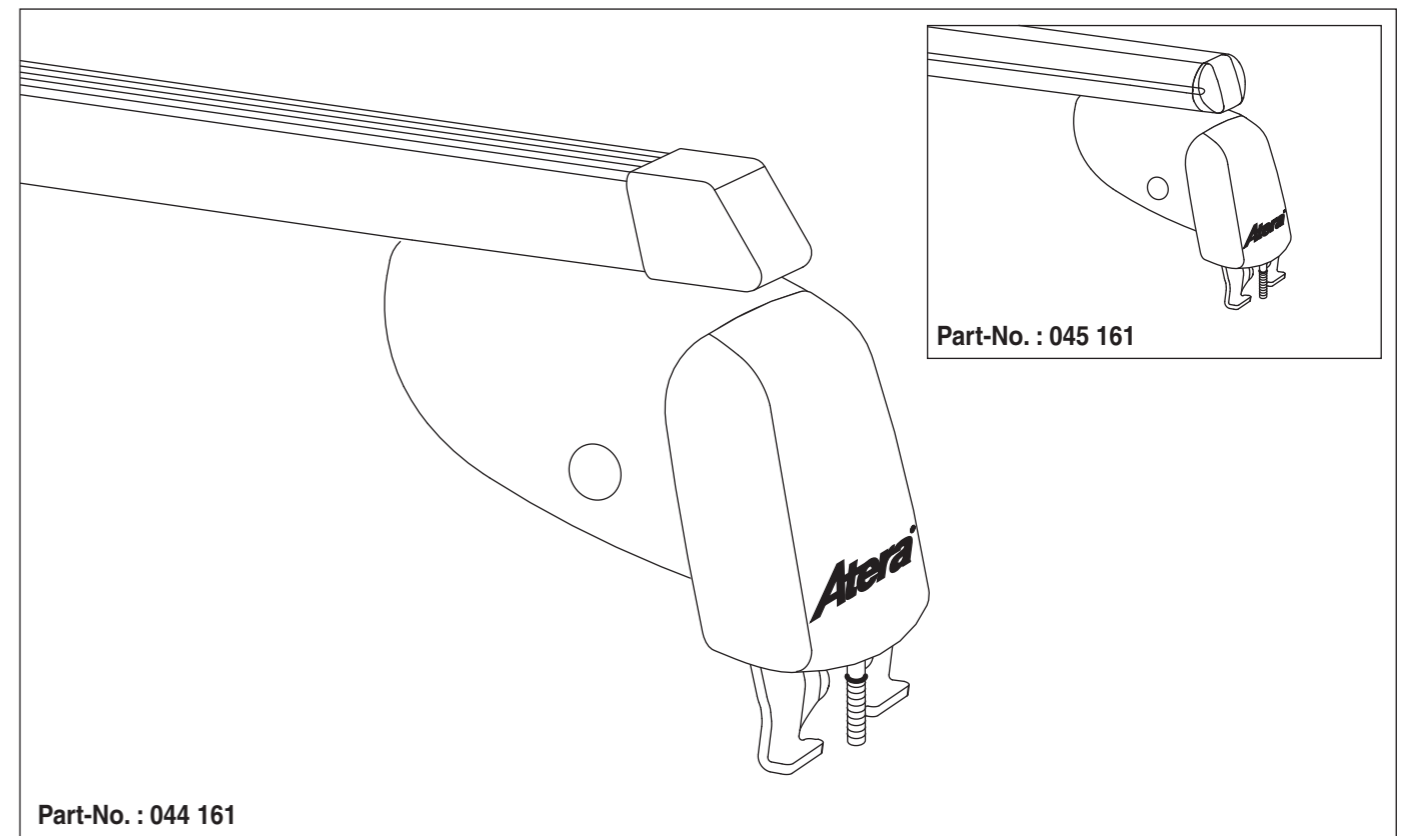
Lancer  
(4-türig/doors/portes)

12/2007-

Lancer Sportback  
(5-türig/doors/portes)

11/2008-

Part-No. : 044 161  
Part-No. : 045 161



**Atera**  
MADE IN GERMANY

Atera GmbH  
Im Herrach 1  
D-88299 Leutkirch  
Servicetelefon: 0180-50 000 89  
(14 ct/Min. aus dem dt. Festnetz)  
E-Mail: info@atera.de

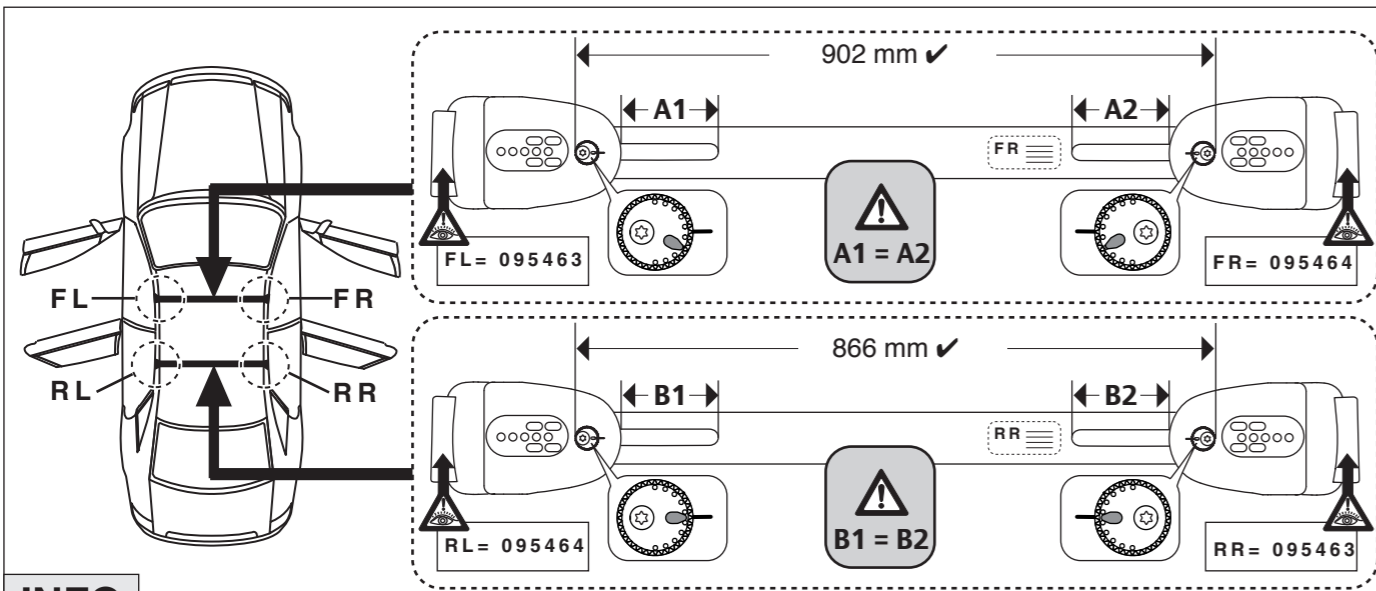
# Atera SIGNO

Mitsubishi Lancer Sportback  
(5-türig/doors/portes)

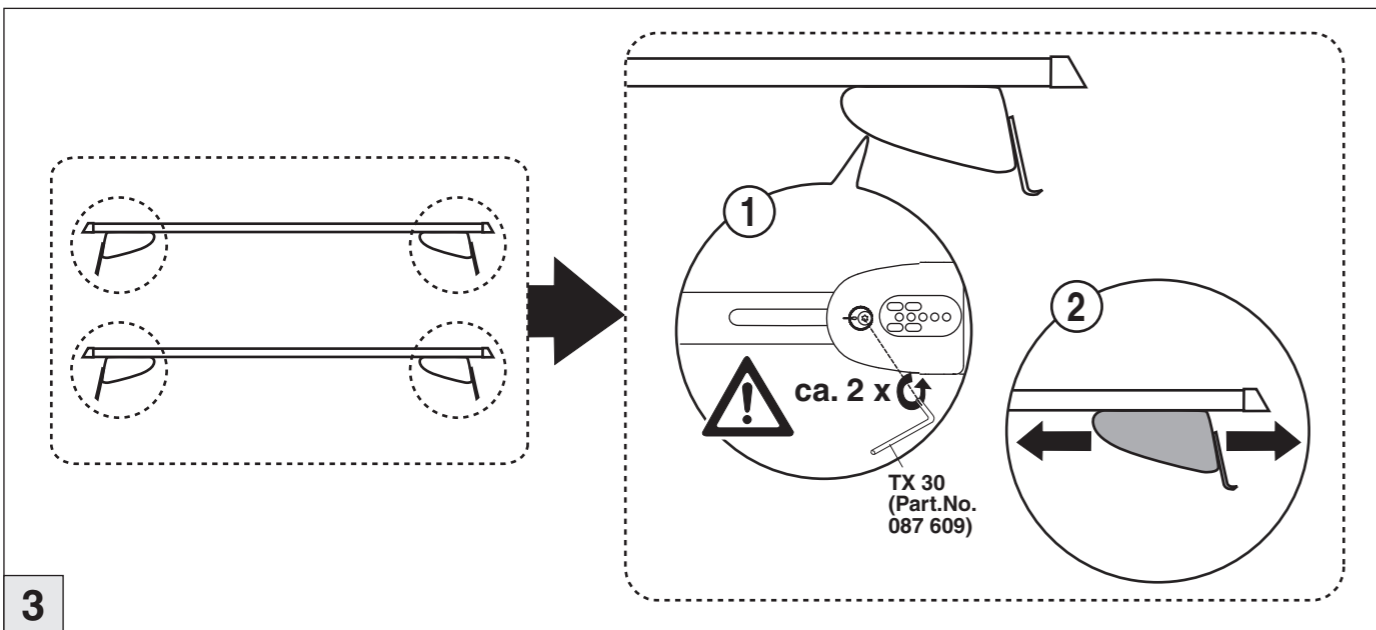
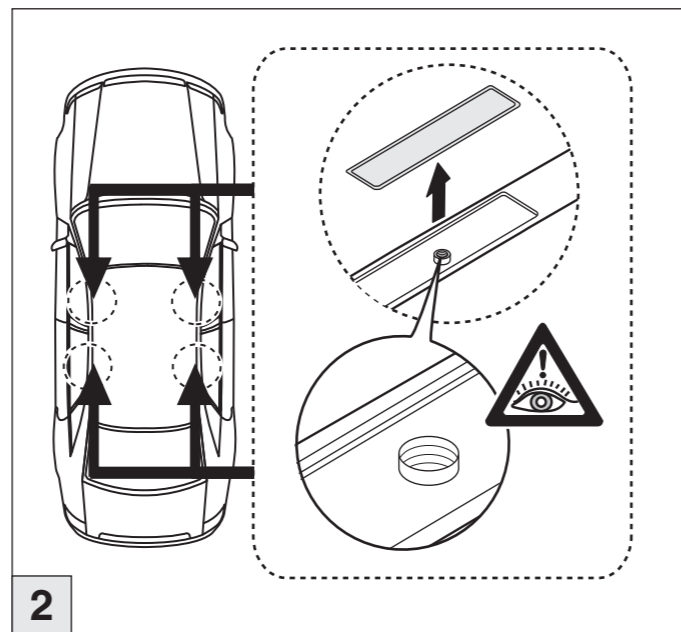
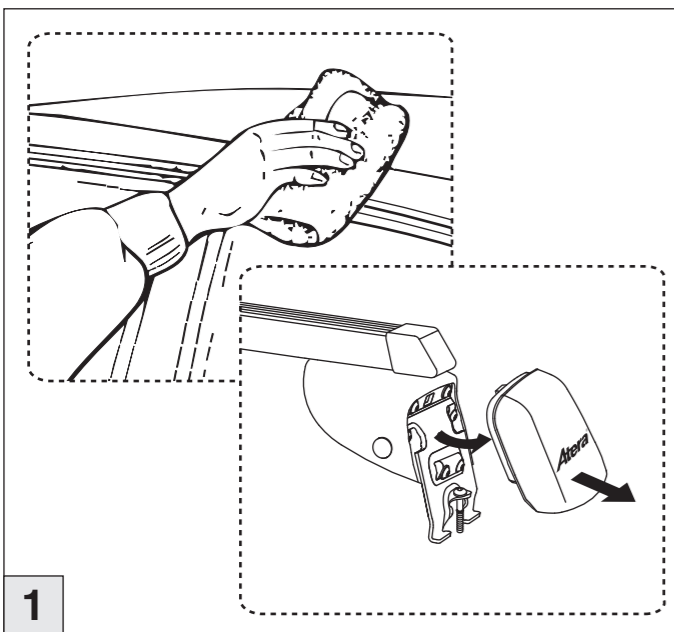
11/2008-

Mitsubishi Lancer  
(4-türig/doors/portes)

12/2007-



## INFO



# Atera SIGNO

Mitsubishi Lancer Sportback  
(5-türig/doors/portes)

11/2008-

Mitsubishi Lancer  
(4-türig/doors/portes)

12/2007-

