



# Thule XT Kit 3069

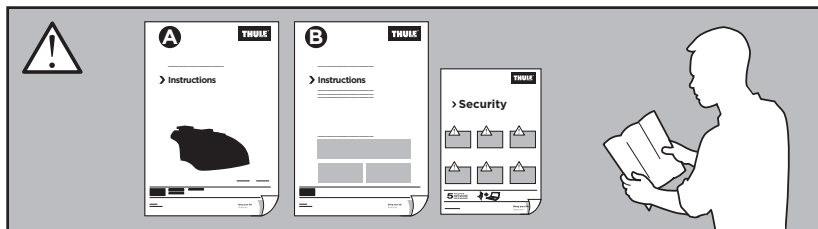


# > Instructions

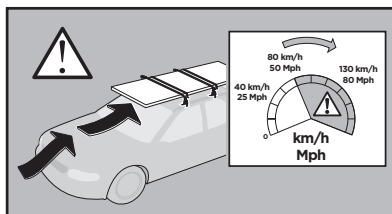
- FORD Mondeo (Mk.II.),** 4-dr Sedan, 01-07
- FORD Mondeo (Mk.II.),** 5-dr Hatchback, 01-07
- MAZDA Atenza,** 4-dr Sedan, 02-07, 08-12
- MAZDA Atenza,** 5-dr Hatchback, 02-07, 08-12
- MAZDA Axela,** 4-dr Sedan, 04-08
- MAZDA Axela,** 5-dr Hatchback, 04-08, 09-13
- MAZDA CX-5,** 5-dr SUV, 12-
- MAZDA CX-7,** 5-dr SUV, 07-
- MAZDA CX-9,** 5-dr SUV, 07-
- MAZDA Demio,** 5-dr Hatchback, 07-
- MAZDA 2,** 5-dr Hatchback 07-
- MAZDA 3,** 4-dr Sedan, 04-08, 09-13 / \*04-09, 10-13
- MAZDA 3,** 5-dr Hatchback, 04-08, 09-13 / \*04-09, 10-13
- MAZDA 6,** 4-dr Sedan, 02-07, 08-12 / \*03-08
- MAZDA 6,** 5-dr Hatchback, 02-07, 08-12 / \*02-04, 05-07

\*North America

This kit is only for vehicles with fixpoint mounting.



	+		<b>5 kg</b> <b>11 lbs</b>
Mondeo, Atenza, CX-5	=	<b>Max.</b>	<b>75 kg / 165 lbs</b>
CX-7, CX-9, Axela, Mazda 3, Mazda 6	=		
MAZDA Demio, MAZDA 2	=	<b>Max.</b>	<b>50 kg / 110 lbs</b>



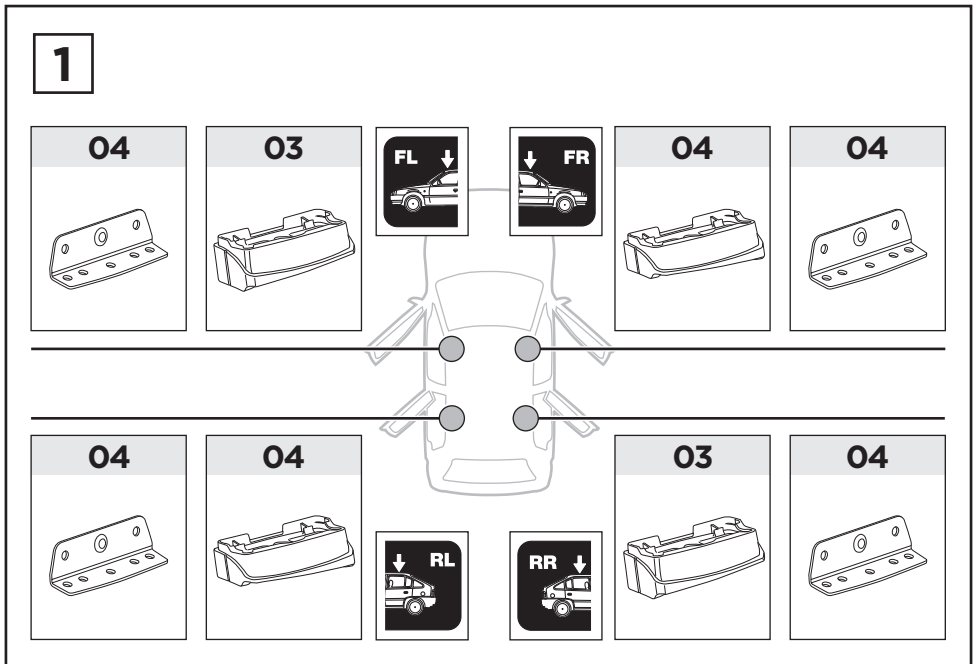
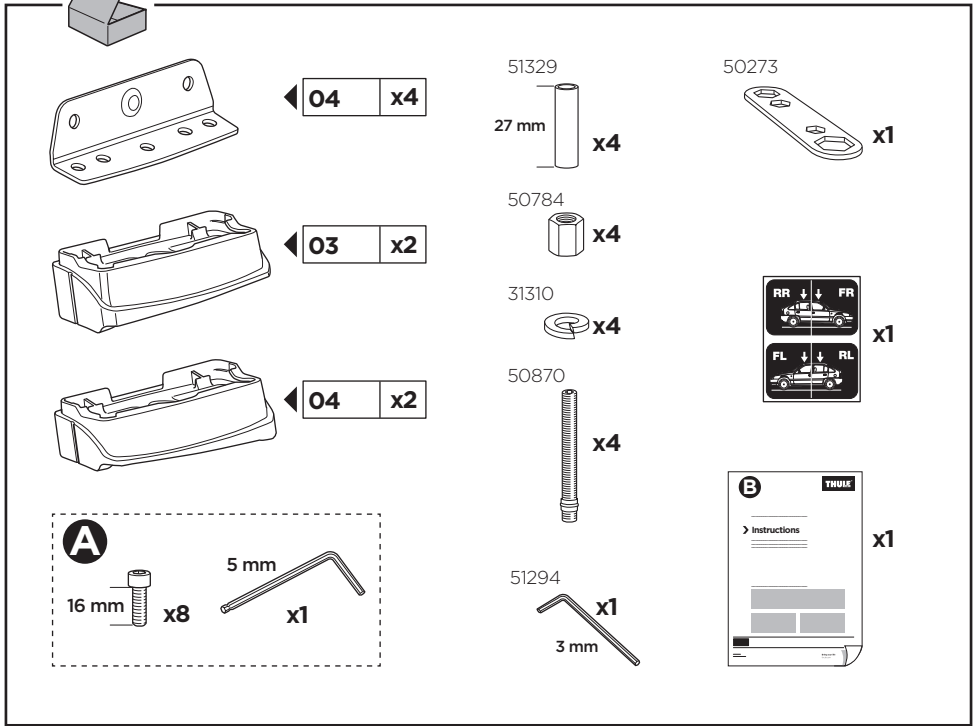
ISO 11154-E

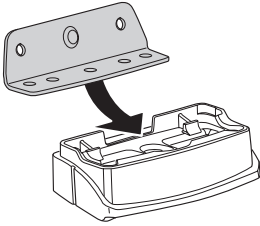
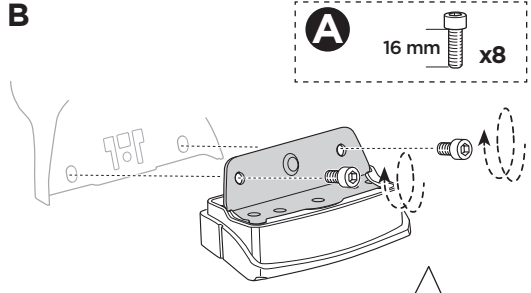
183069

C.20141021  
509-3069-05

Bring your life  
thule.com





**2****A****B**

**EN** Only a few turns  
**DE** Nur wenige Umdrehungen  
**FR** Quelques tours uniquement  
**NL** Slechts enkele slagen  
**IT** Solo qualche giro  
**ES** Sólo algunas vueltas  
**PT** Noções básicas  
**SV** Endast några varv  
**DK** Kun nogle få omgange  
**NE** Bare noen få omdreinger  
**FI** Vain muutama kierros  
**ET** Ainult mõni pööre  
**LV** Tikai dažī apgriezieni  
**LT** Tik keli pasukimai  
**PL** Wystarczy kilka obrotów  
**RU** Только несколько оборотов

**UK** Лише декілька обертів  
**BG** Само няколко завъртания  
**CS** Pouze několik otáček  
**SK** Len niekoľko otáčok  
**SL** Le nekaj obratov  
**HR/BiH** Samo nekoliko okreta  
**RO** Doar câteva rotiri  
**HU** Csak néhány fordítás  
**EL** Μόνο λίγες περιστροφές  
**TR** Yalnızca birkaç tur

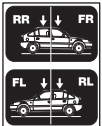
بعض دورات فقط

**AR**

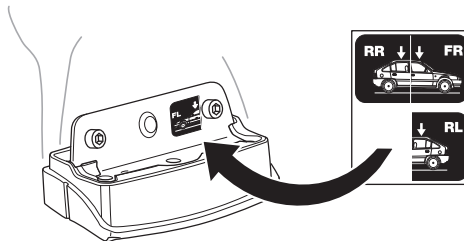
רק מספר סיבובים

**HE**

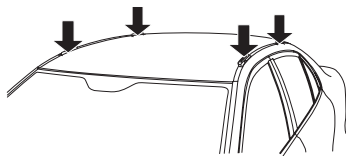
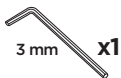
**ZH** 仅几圈  
**JA** 2～3回転のみ  
**KO** 몇 번만 돌리면 됨  
**TH** เพียงสองสามรอบ

**3**

x1

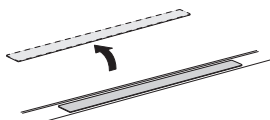


**4**

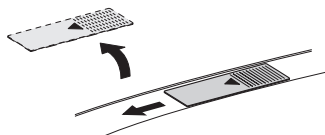


**A**

FORD

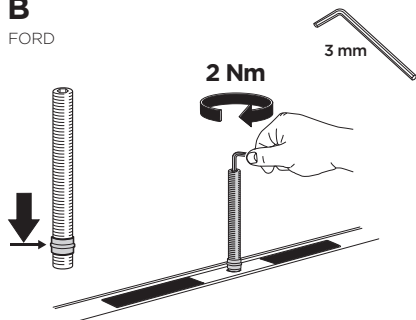


MAZDA

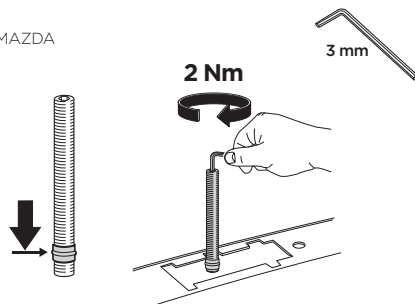


**B**

FORD



MAZDA

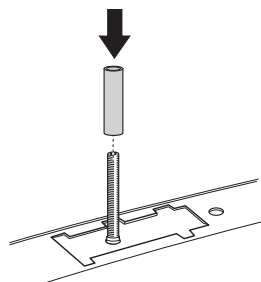


**B**

FORD



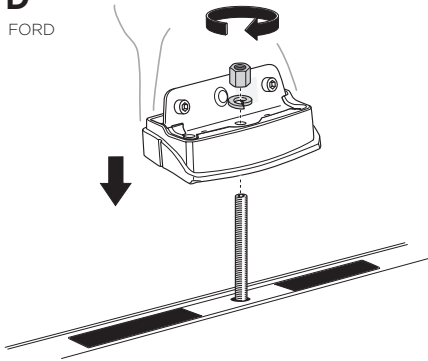
MAZDA



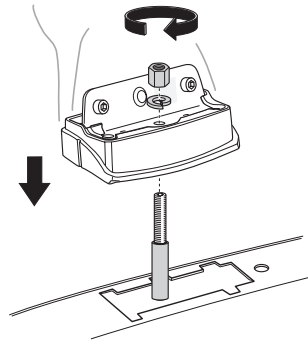
**5**



**D**  
FORD

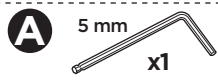


MAZDA

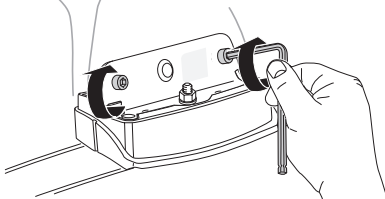


**6**

**A**



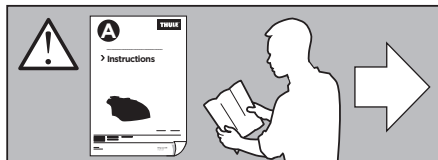
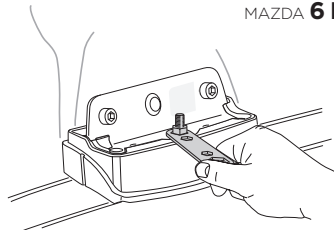
FORD **6 Nm**  
MAZDA **6 Nm**





**B**



FORD **4 Nm**  
MAZDA **6 Nm**





**WW** ▶  Thule Sweden AB, Box 69, 330 33 Hillerstorp, SWEDEN  
**NA** ▶  Thule Inc., 42 Silvermine Road, Seymour, Connecticut 06483, USA

 [info@thule.com](mailto:info@thule.com)  
 Phone: 800-238-2388

 [www.thule.com](http://www.thule.com)

› PART OF THULE GROUP

509-3069-05