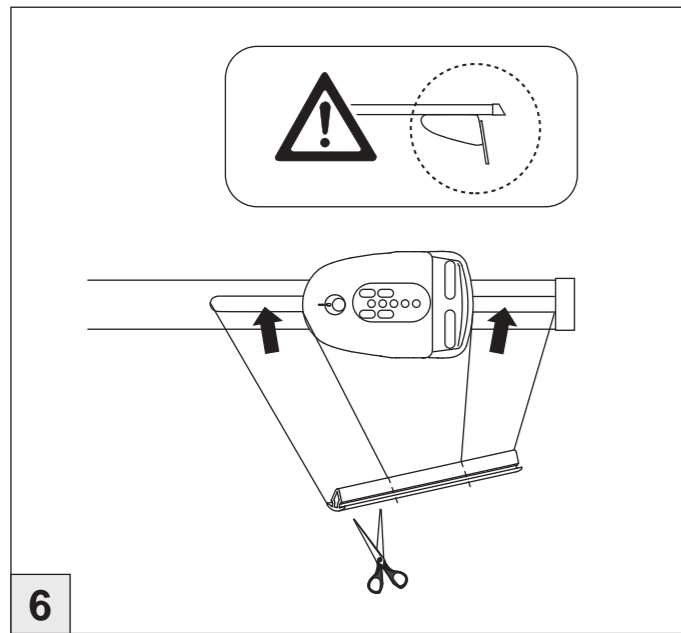
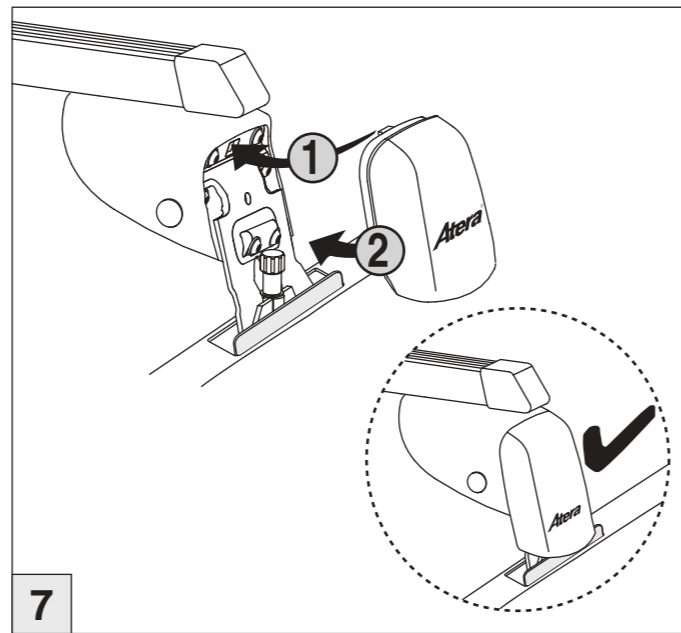


Atera SIGNO

Mercedes Benz
E-Klasse (W213) 04/2016-

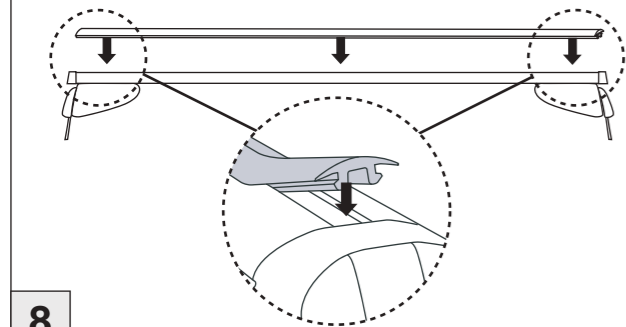


6

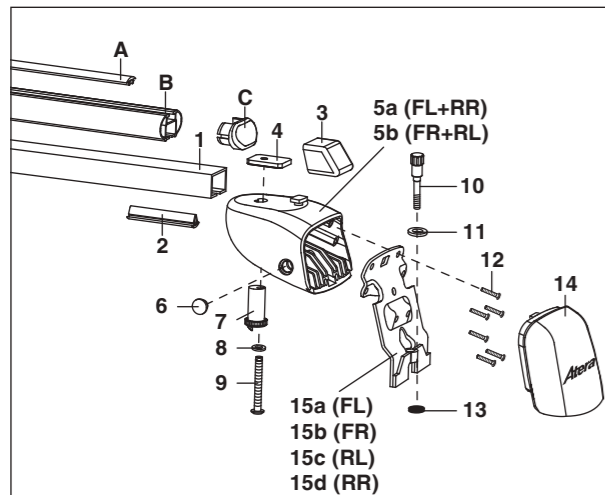
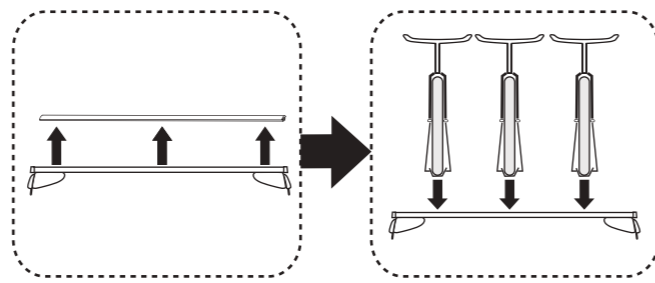


7

nur bei / only for Part-No.: 045 328



8

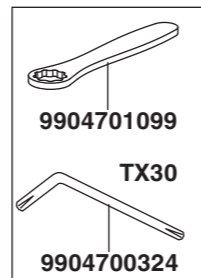


9

nur bei Art.Nr.: 045 328
only for part no.: 045 328
A- 991970065
B- 994570012
C- 9918700253

1- 9945700092
2- 9919700062
3- 9945700105
4- 9912700051
5a- 9918700526
5b- 9918700527
6- 9918700250
7- 9918700249
8- 9910700004
9- 9908700231
10- 9908700420

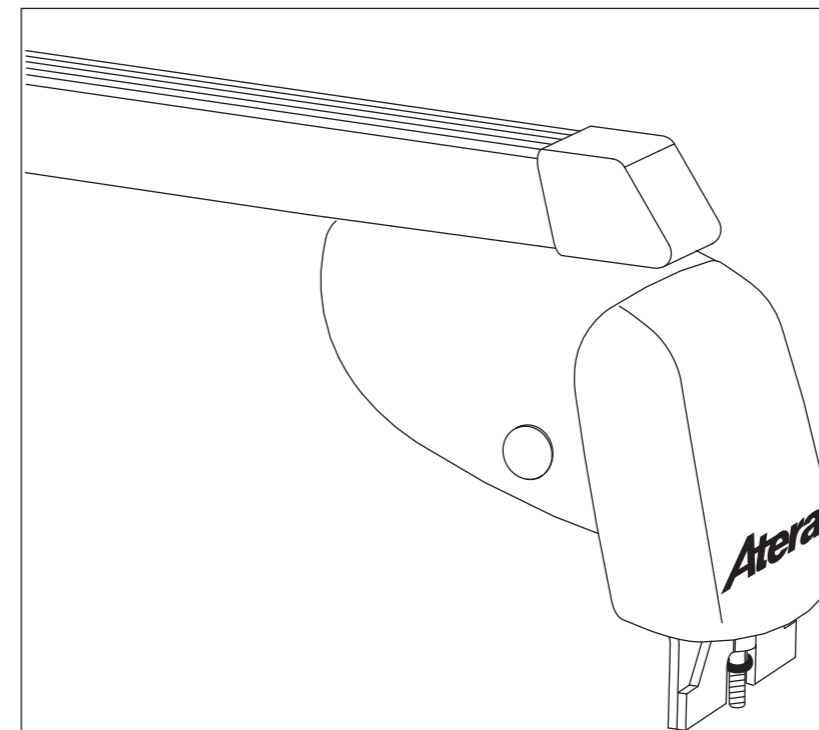
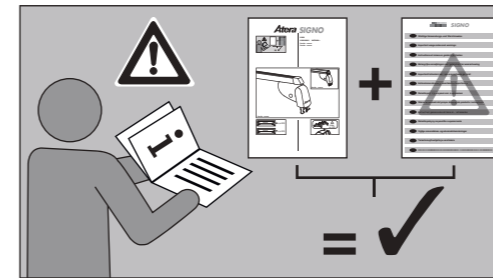
11- 9910700005
12- 9908700010
13- 9922700204
14- 9918700243
15a- 9949700619
15b- 9949700620
15c- 9949700704
15d- 9949700705



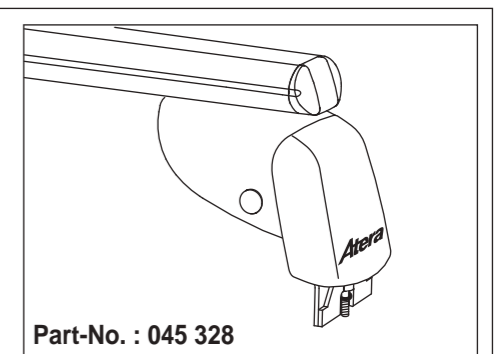
Atera SIGNO

Mercedes Benz
E-Klasse (W213) 04/2016-

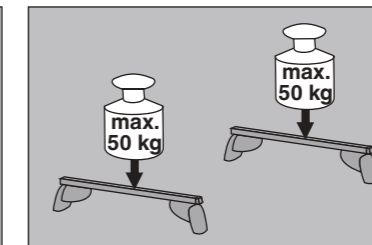
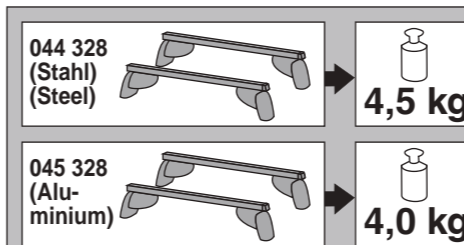
Art.Nr. / Part-No. : 044 328
Art.Nr. / Part-No. : 045 328



Part-No. : 044 328



Part-No. : 045 328



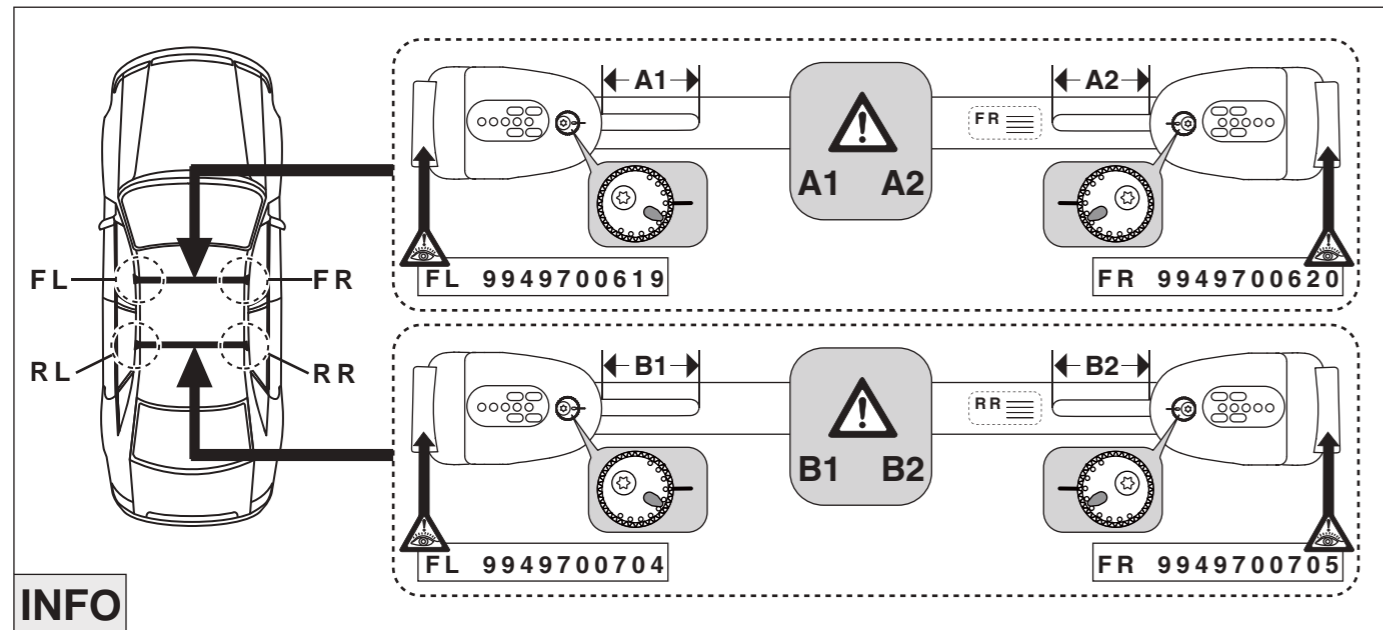
Atera
Atera GmbH
Im Herrach 1
D-88299 Leutkirch
Internet: www.atera.de
MADE IN GERMANY



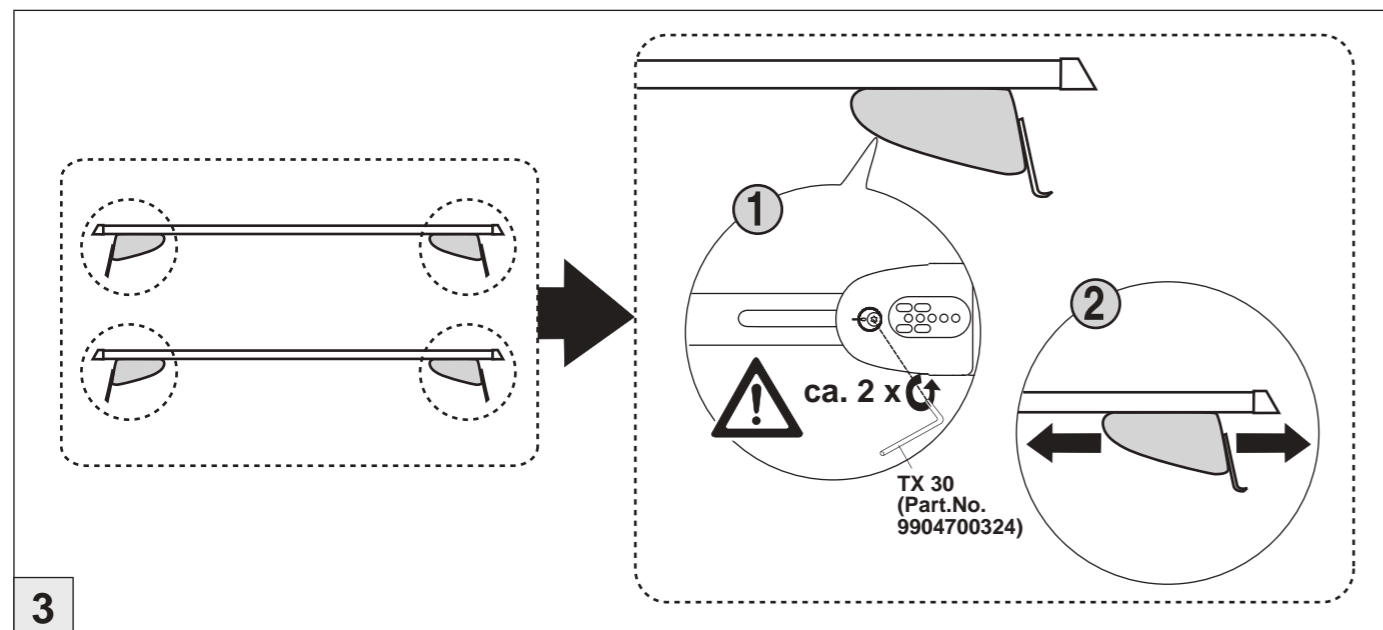
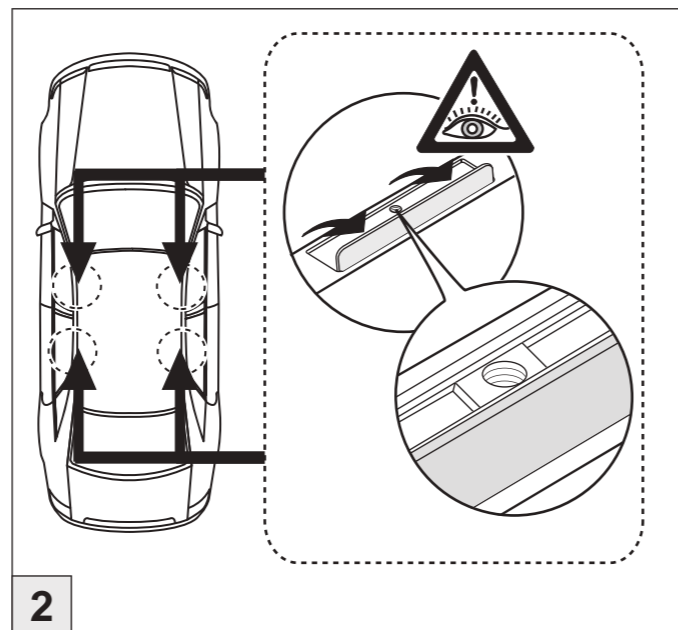
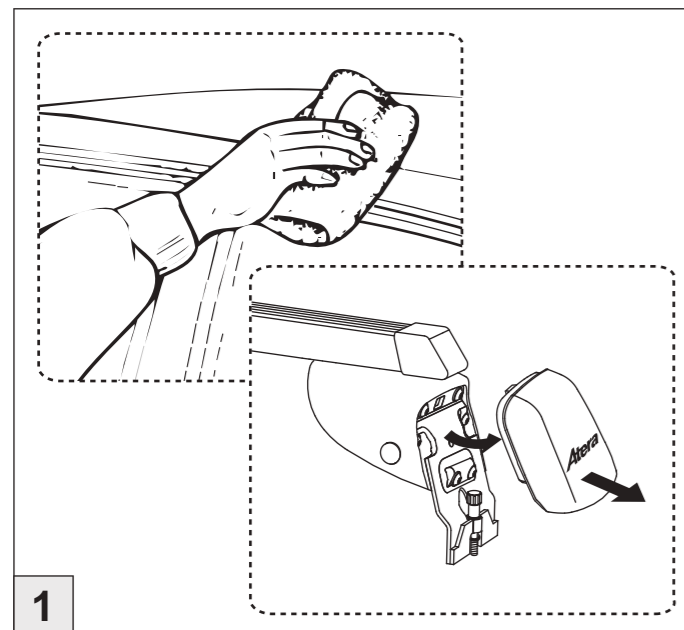
© ATERA GmbH
Ref.-Nr.: 044 328_096434432800_992570050200
Ref.-Nr.: 045 328_096434532800_992570050200
Stand/State: 13/04/2016 – Rev 00 Ver 00

Atera SIGNO

Mercedes Benz
E-Klasse (W213) 04/2016-



INFO



Atera SIGNO

Mercedes Benz
E-Klasse (W213) 04/2016-

