

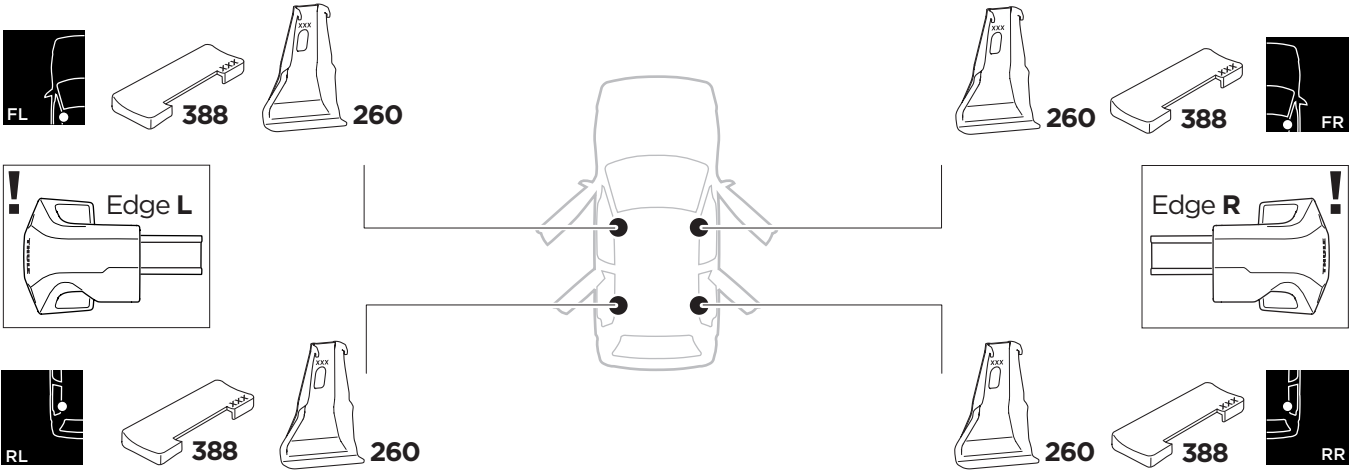
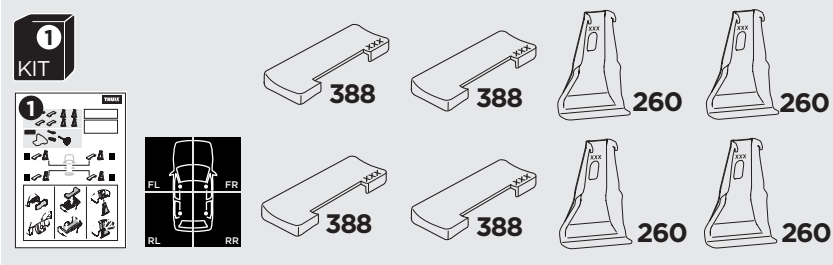
1

Kit 145123

LAND ROVER Freelander 2, 5-dr SUV, 07-14



ISO 11154-E





| | | | | | |
|---|--------------------|---------------|---------------------|--------------------------|-----------------------|
| THULE WingBar Evo | THULE WingBar Edge | THULE WingBar | THULE SquareBar Evo | Evo X (scale) | Edge X (scale) |
| LAND ROVER Freelander 2, 5-dr SUV, 07-14 | | | | 46 | E |
| THULE ProBar Evo | THULE SlideBar Evo | | | | X (mm/inch) |
| LAND ROVER Freelander 2, 5-dr SUV, 07-14 | | | | 1111 mm / 43 3/4" | |



| | | | | | |
|---|--------------------|---------------|---------------------|----------------------|-----------------------|
| THULE WingBar Evo | THULE WingBar Edge | THULE WingBar | THULE SquareBar Evo | Evo Y (scale) | Edge Y (scale) |
| LAND ROVER Freelander 2, 5-dr SUV, 07-14 | | | | 44 | I |
| THULE ProBar Evo | THULE SlideBar Evo | | | | Y (mm/inch) |
| LAND ROVER Freelander 2, 5-dr SUV, 07-14 | | | | 1091 mm / 43" | |

| | | |
|---|-------------------------|-------------------------|
| | W (mm/inch) | Z (mm/inch) |
| LAND ROVER Freelander 2, 5-dr SUV, 07-14 | 700 mm / 27 1/2" | 310 mm / 12 1/4" |

